

## MINI TOWER FOOD SUSPENSION

### A1010032

base number

1. To build a product code in our configurator select the specify button on the base model # product page
2. To build a manual product code on this datasheet choose from the options listed below in blue font and add the suffix to the base model #

#### GENERAL

Series: Mini Tower Food  
 Partner: Side  
 Division: Architectural  
 Installation: Suspension  
 Product Type: Pendant  
 Mounting Location: Ceiling  
 Light Distribution: Direct

#### PHYSICAL

Shape: Dome  
 Diameter (mm): 320  
 Diameter (in): 12 5/8  
 Height (mm): 342  
 Height (in): 13 1/2  
 Max. Overall Height (mm): 3442  
 Max. Overall Height (in): 135 1/2  
 Weight (kg): 2.5  
 Fixture Material: Extruded Aluminum  
 Cable Details: 3100mm / 122 1/16" Cable and Wire

#### ELECTRICAL

Lamp Type: LED  
 Input Wattage (W): 41  
 Dimming: Non-Dimmable  
 Driver Included: Yes  
 Driver Location: Integrated  
 Driver Type: Constant Current - Universal  
 Driver Class: Class 2  
 Constant Current (MA): 1050mA

#### LED

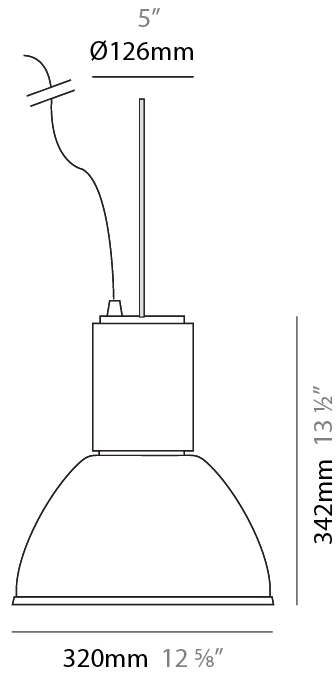
Max. Delivered Lumen (lm): 2591  
 CRI: >90 CRI  
 Lamp Life (hrs): 50000

#### OPTICAL

Beam Angle: Symmetrical 40

#### RATINGS AND CERTIFICATIONS

Certified By: Certified for North American Standards  
 IP rating: IP20



## MINI TOWER FOOD SUSPENSION

A1010032

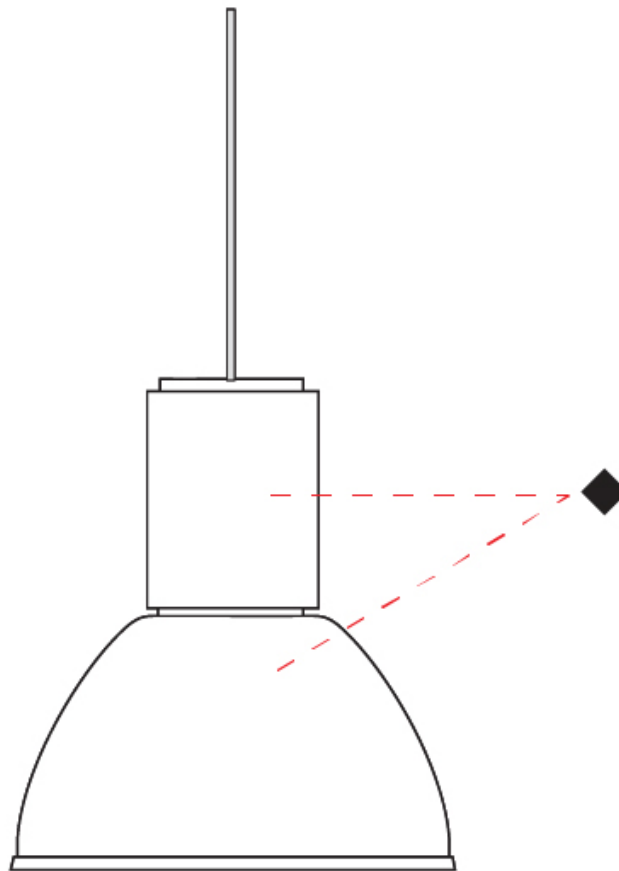
PROJECT \_\_\_\_\_

TYPE \_\_\_\_\_

SPECIFIER \_\_\_\_\_

QUANTITY \_\_\_\_\_

DATE \_\_\_\_\_



A

PROJECT
TYPE
SPECIFIER
QUANTITY
DATE

## MINI TOWER FOOD SUSPENSION

### A1010033

base number

1. To build a product code in our configurator select the specify button on the base model # product page
2. To build a manual product code on this datasheet choose from the options listed below in blue font and add the suffix to the base model #

#### GENERAL

Series: Mini Tower Food  
 Partner: Side  
 Division: Architectural  
 Installation: Suspension  
 Product Type: Pendant  
 Mounting Location: Ceiling  
 Light Distribution: Direct

#### PHYSICAL

Shape: Dome  
 Diameter (mm): 320  
 Diameter (in): 12 5/8  
 Height (mm): 342  
 Height (in): 13 1/2  
 Max. Overall Height (mm): 3442  
 Max. Overall Height (in): 135 1/2  
 Weight (kg): 2.5  
 Weight (lbs): 5.5  
 Fixture Material: Extruded Aluminum  
 Cable Details: 3100mm / 122 1/16" Cable and Wire

#### ELECTRICAL

Lamp Type: LED  
 Input Wattage (W): 41  
 Dimming: Non-Dimmable  
 Driver Included: Yes  
 Driver Location: Integrated  
 Driver Type: Constant Current - Universal  
 Driver Class: Class 2  
 Constant Current (MA): 1050mA

#### LED

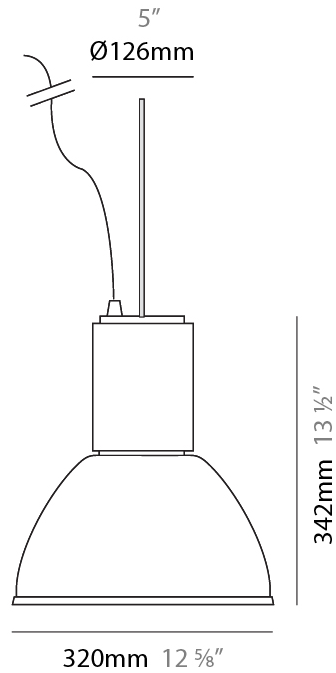
Max. Delivered Lumen (lm): 2435  
 CRI: >90 CRI  
 Lamp Life (hrs): 50000

#### OPTICAL

Beam Angle: Symmetrical 40

#### RATINGS AND CERTIFICATIONS

Certified By: Certified for North American Standards  
 IP rating: IP20



## MINI TOWER FOOD SUSPENSION

A1010033

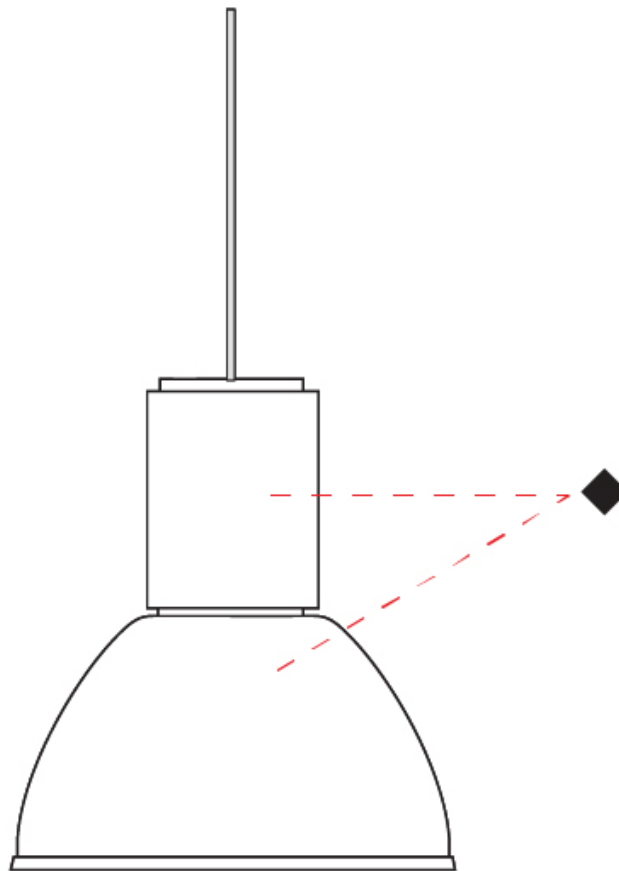
PROJECT

TYPE

SPECIFIER

QUANTITY

DATE



A

PROJECT	
TYPE	
SPECIFIER	
QUANTITY	
DATE	

## MINI TOWER FOOD SUSPENSION

### A1010034

base number

- To build a product code in our configurator select the specify button on the base model # product page
- To build a manual product code on this datasheet choose from the options listed below in blue font and add the suffix to the base model #

#### GENERAL

Series: Mini Tower Food  
 Partner: Side  
 Division: Architectural  
 Installation: Suspension  
 Product Type: Pendant  
 Mounting Location: Ceiling  
 Light Distribution: Direct

#### PHYSICAL

Shape: Dome  
 Diameter (mm): 320  
 Diameter (in): 12 5/8  
 Height (mm): 342  
 Height (in): 13 1/2  
 Max. Overall Height (mm): 3442  
 Max. Overall Height (in): 135 1/2  
 Weight (kg): 2.5  
 Fixture Material: Extruded Aluminum  
 Cable Details: 3100mm / 122 1/16" Cable and Wire

#### ELECTRICAL

Lamp Type: LED  
 Input Wattage (W): 41  
 Dimming: Non-Dimmable  
 Driver Included: Yes  
 Driver Location: Integrated  
 Driver Type: Constant Current - Universal  
 Driver Class: Class 2  
 Constant Current (MA): 1050mA

#### LED

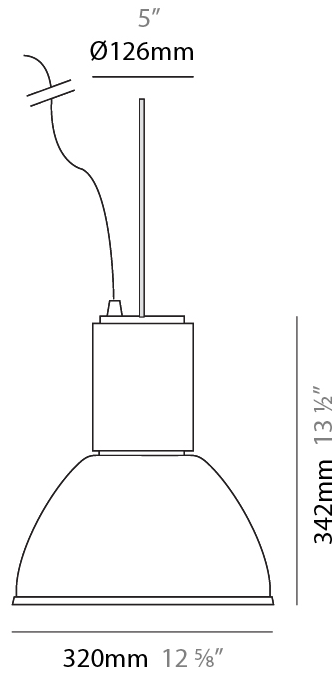
Color Temperature (°K): 4000  
 Max. Delivered Lumen (lm): 4482  
 CRI: >90 CRI  
 Lamp Life (hrs): 50000

#### OPTICAL

Beam Angle: Symmetrical 40

#### RATINGS AND CERTIFICATIONS

Certified By: Certified for North American Standards  
 IP rating: IP20



## MINI TOWER FOOD SUSPENSION

A1010034

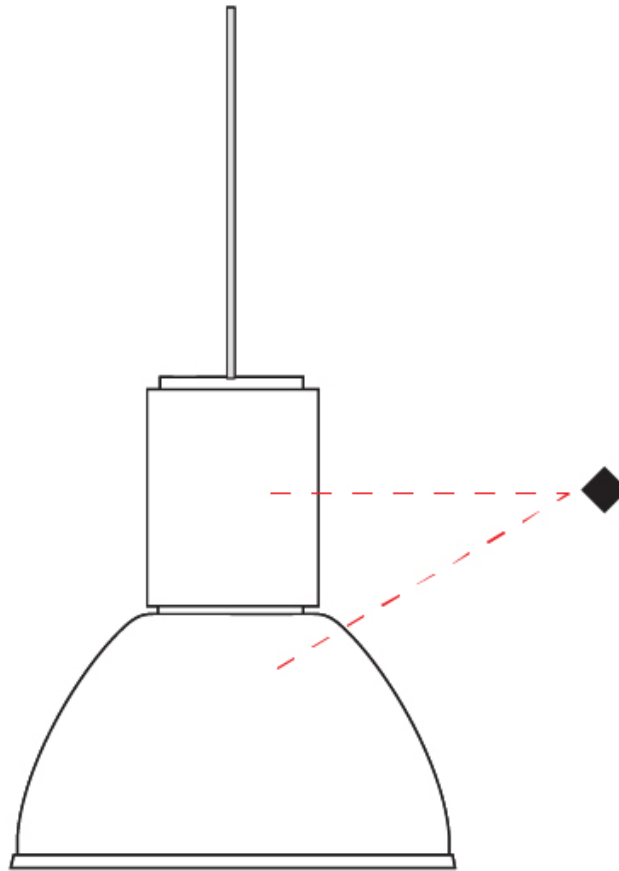
PROJECT

TYPE

SPECIFIER

QUANTITY

DATE



A

PROJECT
TYPE
SPECIFIER
QUANTITY
DATE

## MINI TOWER FOOD SUSPENSION

### A1010035

base number

- To build a product code in our configurator select the specify button on the base model # product page
- To build a manual product code on this datasheet choose from the options listed below in blue font and add the suffix to the base model #

#### GENERAL

Series: Mini Tower Food  
 Partner: Side  
 Division: Architectural  
 Installation: Suspension  
 Product Type: Pendant  
 Mounting Location: Ceiling  
 Light Distribution: Direct

#### PHYSICAL

Shape: Dome  
 Diameter (mm): 320  
 Diameter (in): 12 5/8  
 Height (mm): 342  
 Height (in): 13 1/2  
 Max. Overall Height (mm): 3442  
 Max. Overall Height (in): 135 1/2  
 Weight (kg): 2.5  
 Fixture Material: Extruded Aluminum  
 Cable Details: 3100mm / 122 1/16" Cable and Wire

#### ELECTRICAL

Lamp Type: LED  
 Input Wattage (W): 41  
 Dimming: Non-Dimmable  
 Driver Included: Yes  
 Driver Location: Integrated  
 Driver Type: Constant Current - Universal  
 Driver Class: Class 2  
 Constant Current (MA): 1050mA

#### LED

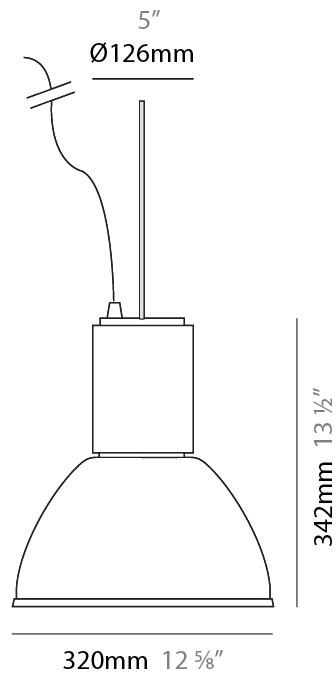
Color Temperature (°K): 3000  
 Max. Delivered Lumen (lm): 4179  
 CRI: >90 CRI  
 Lamp Life (hrs): 50000

#### OPTICAL

Beam Angle: Symmetrical 40

#### RATINGS AND CERTIFICATIONS

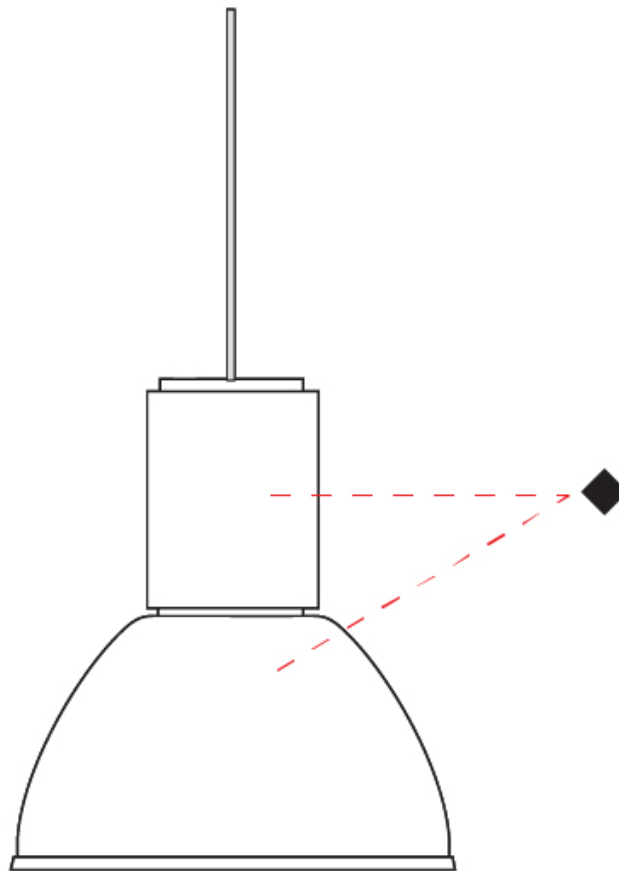
Certified By: Certified for North American Standards  
 IP rating: IP20



## MINI TOWER FOOD SUSPENSION

A1010035

PROJECT
TYPE
SPECIFIER
QUANTITY
DATE



A

PROJECT	
TYPE	
SPECIFIER	
QUANTITY	
DATE	

## MINI TOWER FOOD SUSPENSION

### A1010036

base number

- To build a product code in our configurator select the specify button on the base model # product page
- To build a manual product code on this datasheet choose from the options listed below in blue font and add the suffix to the base model #

#### GENERAL

Series: Mini Tower Food  
 Partner: Side  
 Division: Architectural  
 Installation: Suspension  
 Product Type: Pendant  
 Mounting Location: Ceiling  
 Light Distribution: Direct

#### PHYSICAL

Shape: Dome  
 Diameter (mm): 320  
 Diameter (in): 12 5/8  
 Height (mm): 342  
 Height (in): 13 1/2  
 Max. Overall Height (mm): 3442  
 Max. Overall Height (in): 135 1/2  
 Weight (kg): 2.5  
 Weight (lbs): 5.5  
 Fixture Material: Extruded Aluminum  
 Cable Details: 3100mm / 122 1/16" Cable and Wire

#### ELECTRICAL

Lamp Type: LED  
 Input Wattage (W): 41  
 Dimming: Non-Dimmable  
 Driver Included: Yes  
 Driver Location: Integrated  
 Driver Type: Constant Current - Universal  
 Driver Class: Class 2  
 Constant Current (MA): 1050mA

#### LED

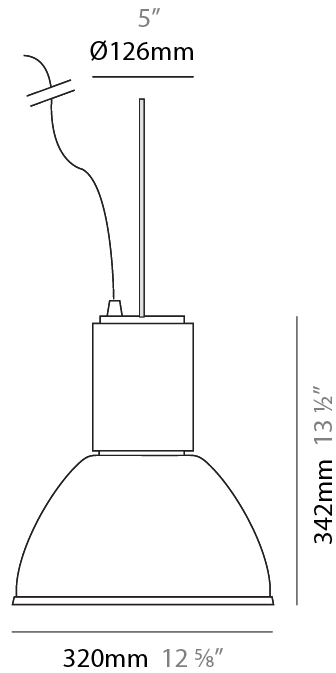
Color Temperature (°K): 2700  
 Max. Delivered Lumen (lm): 3804  
 CRI: >90 CRI  
 Lamp Life (hrs): 50000

#### OPTICAL

Beam Angle: Symmetrical 40

#### RATINGS AND CERTIFICATIONS

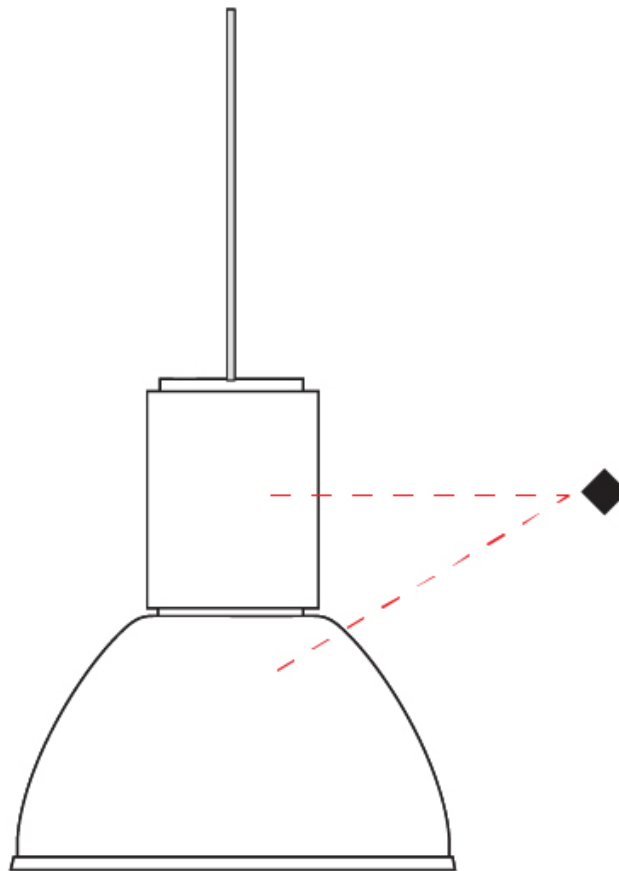
Certified By: Certified for North American Standards  
 IP rating: IP20



## MINI TOWER FOOD SUSPENSION

A1010036

PROJECT	_____
TYPE	_____
SPECIFIER	_____
QUANTITY	_____
DATE	_____



A

PROJECT
TYPE
SPECIFIER
QUANTITY
DATE

## MINI TOWER FOOD SUSPENSION

### A1010037

base number

1. To build a product code in our configurator select the specify button on the base model # product page
2. To build a manual product code on this datasheet choose from the options listed below in blue font and add the suffix to the base model #

#### GENERAL

Series: Mini Tower Food  
 Partner: Side  
 Division: Architectural  
 Installation: Suspension  
 Product Type: Pendant  
 Mounting Location: Ceiling  
 Light Distribution: Direct

#### PHYSICAL

Shape: Dome  
 Diameter (mm): 320  
 Diameter (in): 12 5/8  
 Height (mm): 342  
 Height (in): 13 1/2  
 Max. Overall Height (mm): 3442  
 Max. Overall Height (in): 135 1/2  
 Weight (kg): 2.5  
 Weight (lbs): 5.5  
 Fixture Material: Extruded Aluminum  
 Cable Details: 3100mm / 122 1/16" Cable and Wire

#### ELECTRICAL

Lamp Type: LED  
 Input Wattage (W): 41  
 Dimming: Non-Dimmable  
 Driver Included: Yes  
 Driver Location: Integrated  
 Driver Type: Constant Current - Universal  
 Driver Class: Class 2  
 Constant Current (MA): 1050mA

#### LED

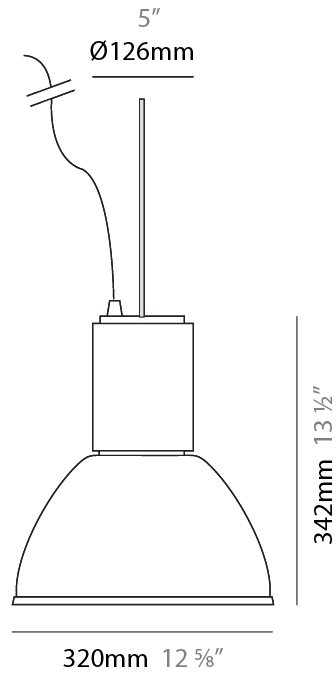
Color Temperature (°K): 2400  
 Max. Delivered Lumen (lm): 2672  
 CRI: >90 CRI  
 Lamp Life (hrs): 50000

#### OPTICAL

Beam Angle: Symmetrical 40

#### RATINGS AND CERTIFICATIONS

Certified By: Certified for North American Standards  
 IP rating: IP20



## MINI TOWER FOOD SUSPENSION

A1010037

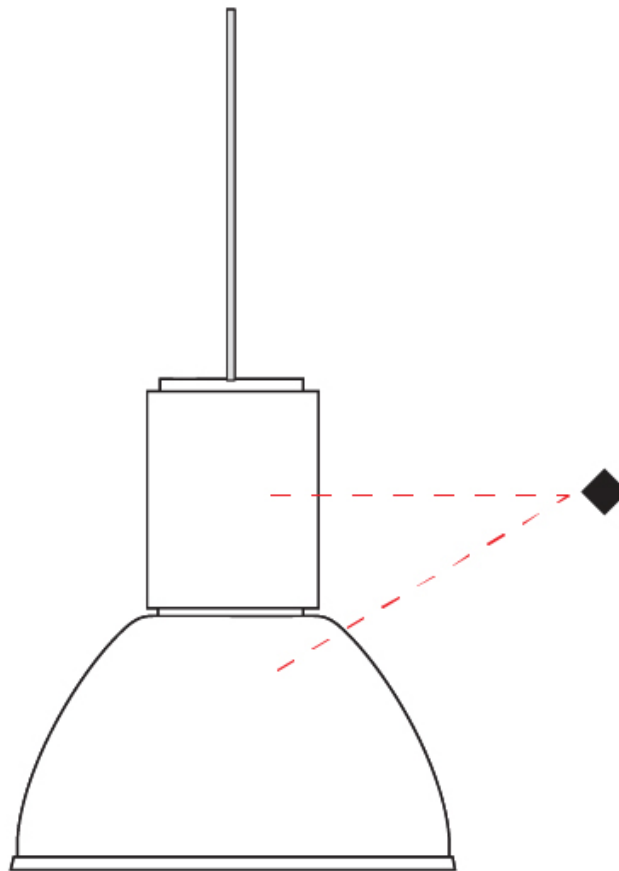
PROJECT \_\_\_\_\_

TYPE \_\_\_\_\_

SPECIFIER \_\_\_\_\_

QUANTITY \_\_\_\_\_

DATE \_\_\_\_\_



A

## MINI TOWER FOOD SUSPENSION

### A1010038

base number

1. To build a product code in our configurator select the specify button on the base model # product page
2. To build a manual product code on this datasheet choose from the options listed below in blue font and add the suffix to the base model #

#### GENERAL

Series: Mini Tower Food  
 Partner: Side  
 Division: Architectural  
 Installation: Suspension  
 Product Type: Pendant  
 Mounting Location: Ceiling  
 Light Distribution: Direct

#### PHYSICAL

Shape: Dome  
 Diameter (mm): 320  
 Diameter (in): 12 5/8  
 Height (mm): 342  
 Height (in): 13 1/2  
 Max. Overall Height (mm): 3442  
 Max. Overall Height (in): 135 1/2  
 Weight (kg): 2.5  
 Weight (lbs): 5.5  
 Diffuser: PMMA Transparent  
 Fixture Material: PMMA / Extruded Aluminum  
 Primary Material: PMMA  
 Cable Details: 3100mm / 122 1/16" Cable and Wire

#### ELECTRICAL

Lamp Type: LED  
 Input Wattage (W): 41  
 Dimming: Non-Dimmable  
 Driver Included: Yes  
 Driver Location: Integrated  
 Driver Type: Constant Current - Universal  
 Driver Class: Class 2  
 Constant Current (MA): 1050mA

#### LED

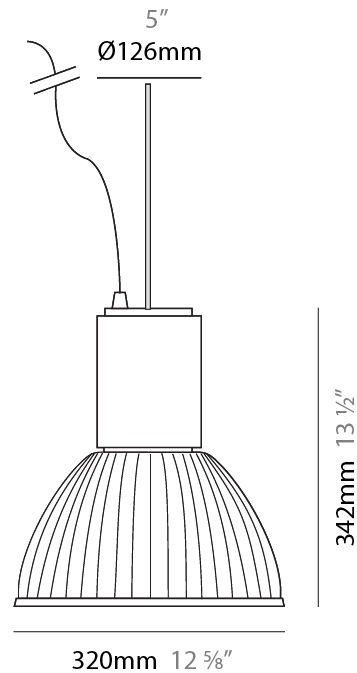
Max. Delivered Lumen (lm): 2630  
 CRI: >90 CRI  
 Lamp Life (hrs): 50000

#### OPTICAL

Beam Angle: Symmetrical 40

#### RATINGS AND CERTIFICATIONS

Certified By: Certified for North American Standards  
 IP rating: IP20



## MINI TOWER FOOD SUSPENSION

A1010038

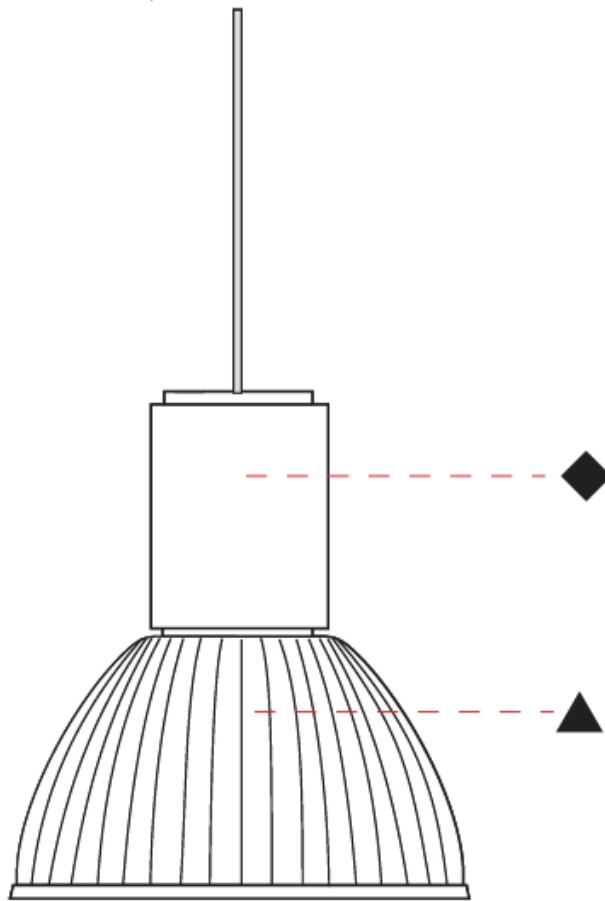
PROJECT \_\_\_\_\_

TYPE \_\_\_\_\_

SPECIFIER \_\_\_\_\_

QUANTITY \_\_\_\_\_

DATE \_\_\_\_\_



A

PROJECT	
TYPE	
SPECIFIER	
QUANTITY	
DATE	

## MINI TOWER FOOD SUSPENSION

### A1010039

base number

- To build a product code in our configurator select the specify button on the base model # product page
- To build a manual product code on this datasheet choose from the options listed below in blue font and add the suffix to the base model #

#### GENERAL

Series: Mini Tower Food  
 Partner: Side  
 Division: Architectural  
 Installation: Suspension  
 Product Type: Pendant  
 Mounting Location: Ceiling  
 Light Distribution: Direct

#### PHYSICAL

Shape: Dome  
 Diameter (mm): 320  
 Diameter (in): 12 5/8  
 Height (mm): 342  
 Height (in): 13 1/2  
 Max. Overall Height (mm): 3442  
 Max. Overall Height (in): 135 1/2  
 Weight (kg): 2.5  
 Weight (lbs): 5.5  
 Diffuser: PMMA Transparent  
 Fixture Material: PMMA / Extruded Aluminum  
 Primary Material: PMMA  
 Cable Details: 3100mm / 122 1/16" Cable and Wire

#### ELECTRICAL

Lamp Type: LED  
 Input Wattage (W): 41  
 Dimming: Non-Dimmable  
 Driver Included: Yes  
 Driver Location: Integrated  
 Driver Type: Constant Current - Universal  
 Driver Class: Class 2  
 Constant Current (MA): 1050mA

#### LED

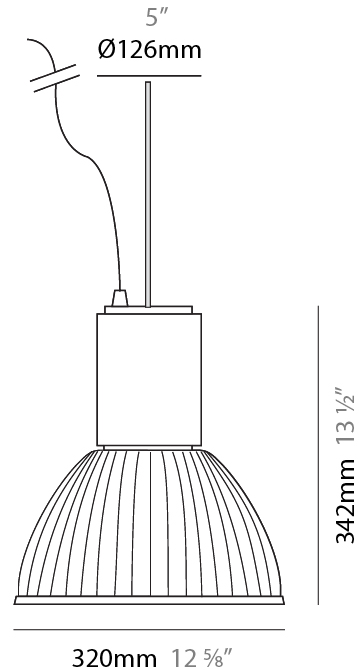
Max. Delivered Lumen (lm): 2471  
 CRI: >90 CRI  
 Lamp Life (hrs): 50000

#### OPTICAL

Beam Angle: Symmetrical 40

#### RATINGS AND CERTIFICATIONS

Certified By: Certified for North American Standards  
 IP rating: IP20



## MINI TOWER FOOD SUSPENSION

A1010039

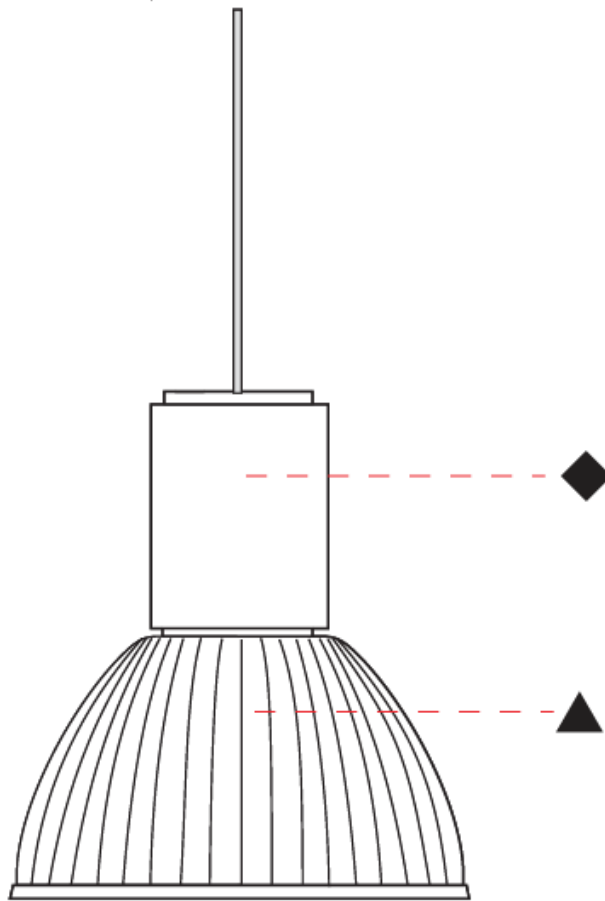
PROJECT \_\_\_\_\_

TYPE \_\_\_\_\_

SPECIFIER \_\_\_\_\_

QUANTITY \_\_\_\_\_

DATE \_\_\_\_\_



A

PROJECT	
TYPE	
SPECIFIER	
QUANTITY	
DATE	

## MINI TOWER FOOD SUSPENSION

### A1010040

base number

- To build a product code in our configurator select the specify button on the base model # product page
- To build a manual product code on this datasheet choose from the options listed below in blue font and add the suffix to the base model #

#### GENERAL

Series: Mini Tower Food  
 Partner: Side  
 Division: Architectural  
 Installation: Suspension  
 Product Type: Pendant  
 Mounting Location: Ceiling  
 Light Distribution: Direct

#### PHYSICAL

Shape: Dome  
 Diameter (mm): 320  
 Diameter (in): 12 5/8  
 Height (mm): 342  
 Height (in): 13 1/2  
 Max. Overall Height (mm): 3442  
 Max. Overall Height (in): 135 1/2  
 Weight (kg): 2.5  
 Weight (lbs): 5.5  
 Fixture Material: Extruded Aluminum  
 Cable Details: 3100mm / 122 1/16" Cable and Wire

#### ELECTRICAL

Lamp Type: LED  
 Input Wattage (W): 41  
 Dimming: Non-Dimmable  
 Driver Included: Yes  
 Driver Location: Integrated  
 Driver Type: Constant Current - Universal  
 Driver Class: Class 2  
 Constant Current (MA): 1050mA

#### LED

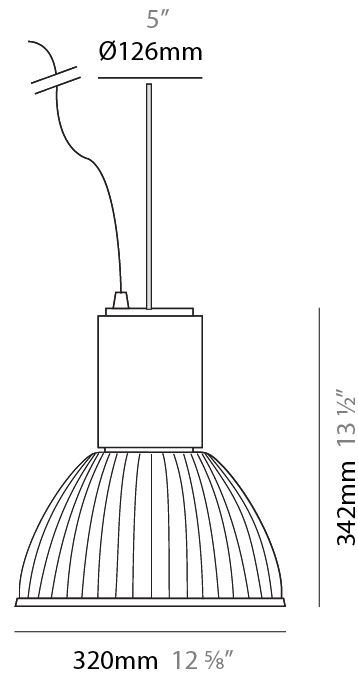
Color Temperature (°K): 4000  
 Max. Delivered Lumen (lm): 4549  
 CRI: >90 CRI  
 Lamp Life (hrs): 50000

#### OPTICAL

Beam Angle: Symmetrical 40

#### RATINGS AND CERTIFICATIONS

Certified By: Certified for North American Standards  
 IP rating: IP20



## MINI TOWER FOOD SUSPENSION

A1010040

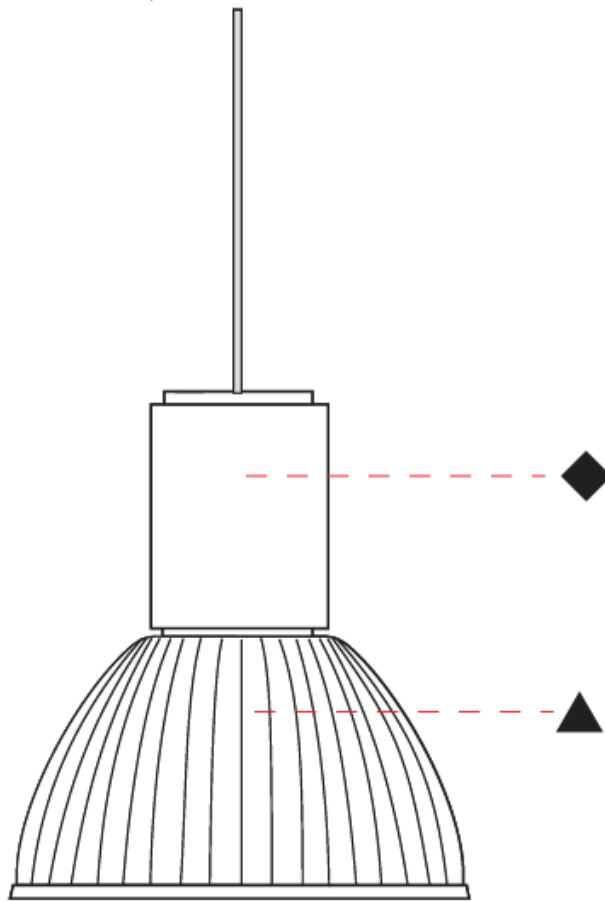
PROJECT \_\_\_\_\_

TYPE \_\_\_\_\_

SPECIFIER \_\_\_\_\_

QUANTITY \_\_\_\_\_

DATE \_\_\_\_\_



A

PROJECT
TYPE
SPECIFIER
QUANTITY
DATE

## MINI TOWER FOOD SUSPENSION

### A1010042

base number

- To build a product code in our configurator select the specify button on the base model # product page
- To build a manual product code on this datasheet choose from the options listed below in blue font and add the suffix to the base model #

#### GENERAL

Series: Mini Tower Food  
 Partner: Side  
 Division: Architectural  
 Installation: Suspension  
 Product Type: Pendant  
 Mounting Location: Ceiling  
 Light Distribution: Direct

#### PHYSICAL

Shape: Dome  
 Diameter (mm): 320  
 Diameter (in): 12 5/8  
 Height (mm): 342  
 Height (in): 13 1/2  
 Max. Overall Height (mm): 3442  
 Max. Overall Height (in): 135 1/2  
 Weight (kg): 2.5  
 Weight (lbs): 5.5  
 Fixture Material: Extruded Aluminum  
 Cable Details: 3100mm / 122 1/16" Cable and Wire

#### ELECTRICAL

Lamp Type: LED  
 Input Wattage (W): 41  
 Dimming: Non-Dimmable  
 Driver Included: Yes  
 Driver Location: Integrated  
 Driver Type: Constant Current - Universal  
 Driver Class: Class 2  
 Constant Current (MA): 1050mA

#### LED

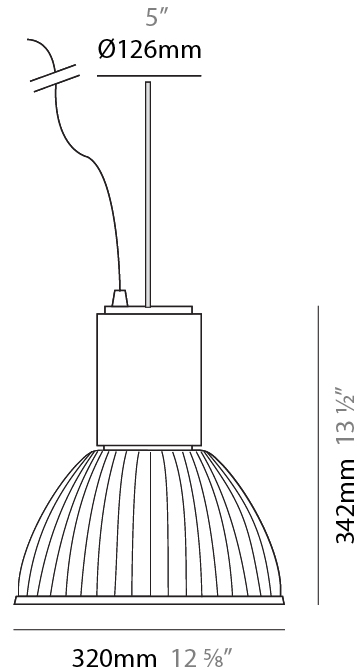
Color Temperature (°K): 2700  
 Max. Delivered Lumen (lm): 3861  
 CRI: >90 CRI  
 Lamp Life (hrs): 50000

#### OPTICAL

Beam Angle: Symmetrical 40

#### RATINGS AND CERTIFICATIONS

Certified By: Certified for North American Standards  
 IP rating: IP20



## MINI TOWER FOOD SUSPENSION

A1010042

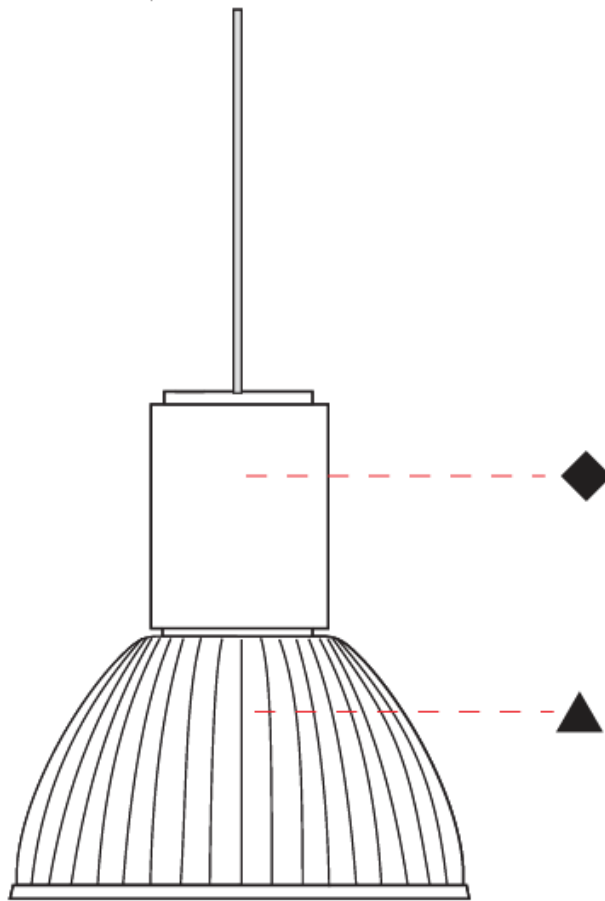
PROJECT \_\_\_\_\_

TYPE \_\_\_\_\_

SPECIFIER \_\_\_\_\_

QUANTITY \_\_\_\_\_

DATE \_\_\_\_\_



A

PROJECT	
TYPE	
SPECIFIER	
QUANTITY	
DATE	

## MINI TOWER FOOD SUSPENSION

### A1010043

base number

- To build a product code in our configurator select the specify button on the base model # product page
- To build a manual product code on this datasheet choose from the options listed below in blue font and add the suffix to the base model #

#### GENERAL

Series: Mini Tower Food  
 Partner: Side  
 Division: Architectural  
 Installation: Suspension  
 Product Type: Pendant  
 Mounting Location: Ceiling  
 Light Distribution: Direct

#### PHYSICAL

Shape: Dome  
 Diameter (mm): 320  
 Diameter (in): 12 5/8  
 Height (mm): 342  
 Height (in): 13 1/2  
 Max. Overall Height (mm): 3442  
 Max. Overall Height (in): 135 1/2  
 Weight (kg): 2.5  
 Weight (lbs): 5.5  
 Fixture Material: Extruded Aluminum  
 Cable Details: 3100mm / 122 1/16" Cable and Wire

#### ELECTRICAL

Lamp Type: LED  
 Input Wattage (W): 41  
 Dimming: Non-Dimmable  
 Driver Included: Yes  
 Driver Location: Integrated  
 Driver Type: Constant Current - Universal  
 Driver Class: Class 2  
 Constant Current (MA): 1050mA

#### LED

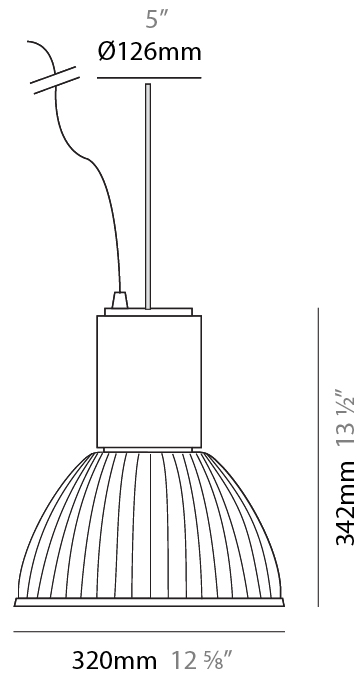
Color Temperature (°K): 2400  
 Max. Delivered Lumen (lm): 2711  
 CRI: >90 CRI  
 Lamp Life (hrs): 50000

#### OPTICAL

Beam Angle: Symmetrical 40

#### RATINGS AND CERTIFICATIONS

Certified By: Certified for North American Standards  
 IP rating: IP20



## MINI TOWER FOOD SUSPENSION

A1010043

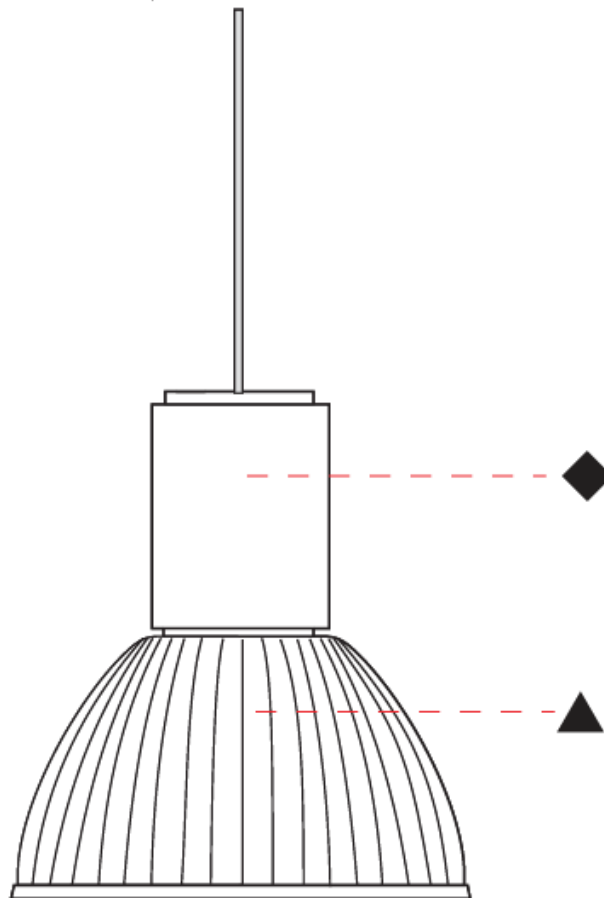
PROJECT \_\_\_\_\_

TYPE \_\_\_\_\_

SPECIFIER \_\_\_\_\_

QUANTITY \_\_\_\_\_

DATE \_\_\_\_\_



A

PROJECT

TYPE

SPECIFIER

QUANTITY

DATE

#### Fixture Finish

**Digital:** Not all screens are calibrated the same, and therefore, colors will appear differently between screens.

**Physical:** When texture is involved, there will be variations in color, character and tone within a product series and between product families.



### LEGEND

	floor-mounted		pivotal		special LED (upon request) RGB, RGBW, tunable, gold+, meat+, art+, fashion+
	wall and ceiling: recessed and surface mounted		rotating		warm dim / natural dimming LED
	ceiling-mounted and wall-mounted		illuminate tilted		rechargeable battery powered
	wall-mounted		color of suspension cable		fixture with natural vivid LED (upon request)
	omni-directional light distribution		length of suspension cable		color rendering index
	direct light distribution		reflector degree selection		color temperature
	direct/indirect light distribution		super spot		lumen (luminous flux)
	indirect light distribution		lens		efficacy (lumens per watt)
	asymmetric light distribution		lens pack		Unified Glare Rating (UGR) range from 5-40
	aura light distribution		shine ring		marine grade (AISI 316 stainless steel)
	round wall or ceiling cut-out		integrated shine ring with diffuser		walk on
	square wall or ceiling cut-out		free individual colors 01-29		drive on
	the supplied jig specifies the cutout dimensions		individual colors: 00 (free of charge), 01-25 (extra charge)		Dark Sky Compliance
	minimum distance (meters) lamp - object		luminaire part to be colored (F1)		Americans with Disabilities Act (less than 4" off the wall located between 27"-84" from floor)
	recessed depth		luminaire part to be colored (F2)		lamp protected against explosion
	ceiling thickness in mm		luminaire part to be colored (F3)		blown glass using traditional methods by master glass blower
	ceiling thickness selection		luminaire part to be colored (F4)		acoustic material
	dimmable DP (phase), DV (0-10V), DD (dali), DS (step-dim)		luminaire part to be colored (F5)		protection class I, protection insulation
	included or excluded LED driver/transformer/control gear		color of 3-circuit adaptor		protection class II, protection insulation
	separately switchable		indirect diffuser		ETL Certified to UL and CSA Standards
	sensor		direct diffuser		UL Certified to UL and CSA Standards
	remote control		ball-proof (upon request)		CSA Certified to UL and CSA Standards
	available upon request		accessory		Certified for North American Standards

### IP RATING

	protected against ingress of solid bodies greater than 12.5mm (finger)
	protected against ingress of solid bodies greater than 2.5mm protected against sprays of water up to 60 degrees from the vertical (rain)
	protected against ingress of solid bodies greater than 1mm (wire) no protection against the ingress of moisture
	protected against ingress of solid bodies greater than 1mm (wire) protected against sprays of water up to 60 degrees from the vertical (rain)
	protected against ingress of solid bodies greater than 1mm (wire) protected against water splashed from all directions
	protected against limited ingress of dust (wet rooms/covered outdoor areas) protected against water splashed from all directions
	protected against ingress of dust protected against jets of water
	protected against ingress of dust protected against powerful jets of water or heavy seas
	protected against ingress of dust protected against immersion of water between 15cm - 1m for 30 minutes
	protected against ingress of dust protected against immersion of water under pressure for long periods

### IK RATING

	protected against 0.14 joules impact (equivalent to 0.25kg mass dropped from 56mm above the surface)
	protected against 0.2 joules impact (equivalent to 0.25kg mass dropped from 80mm above the surface)
	protected against 0.35 joules impact (equivalent to 0.25kg mass dropped from 140mm above the surface)
	protected against 0.5 joules impact (equivalent to 0.25kg mass dropped from 200mm above the surface)
	protected against 0.7 joules impact (equivalent to 0.25kg mass dropped from 280mm above the surface)
	protected against 1 joules impact (equivalent to 0.25kg mass dropped from 400mm above the surface)
	protected against 2 joules impact (equivalent to 0.5kg mass dropped from 400mm above the surface)
	protected against 5 joules impact (equivalent to 1.7kg mass dropped from 300mm above the surface)
	protected against 10 joules impact (equivalent to 5.0kg mass dropped from 200mm above the surface)
	protected against 20 joules impact (equivalent to 5.0kg mass dropped from 400mm above the surface)